

## RIGID • IMC

### Universal Super Fitting™ 3 Piece Coupling Raintight



#### Applications

- Used to join two lengths of conduit; couples conduit when conduit cannot be turned
- Suitable for outdoor applications
- Threaded GRC/IMC to Threaded GRC/IMC
- Threaded GRC/IMC to Unthreaded GRC/IMC
- Threaded GRC/IMC to Thin Wall EMT

#### Features

- UL Listed for Wet Location
- Ease of installation/Quick-connect
- Universal connecting - Threaded to Threaded, Threaded to Unthreaded
- No more turning Pipe
- Self Pipe Alignment
- Eliminates field threading
- Fit GRC/IMC/EMT (Fits all UL approved metal Pipe)
- 40 to 50% less weight

#### Standard Materials

Steel, Nylon, Neoprene

#### Standard Finish

Zinc Plated

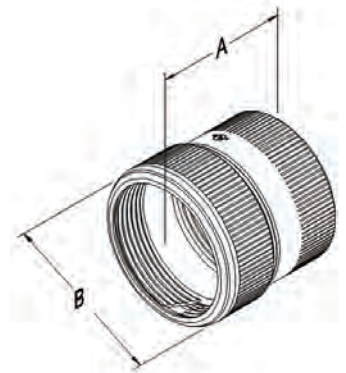
#### Applicable Third Party Standards

- UL us listed UL 514B; C22.2 No. 18.3-12
- UL Listed File # E207875

U.S. Patent No. 8.586.881



**No disassembly required!  
Just insert and tighten  
for a Raintight seal.**



**Threaded GRC/IMC  
to Threaded GRC/IMC**



**Threaded GRC/IMC to Unthreaded  
GRC/IMC/EMT**

CATALOG NUMBER	REPLACES PART NUMBER	TRADE SIZE	DIM A	DIM B	INNER PACK	MASTER PACK	WEIGHT PER UNIT (lbs)
SECR50KON	EC50KON	1/2"	2.110	1.235	25	100	0.245
SECR75KON	EC75KON	3/4"	2.089	1.442	25	100	0.285
SECR100KON	EC100KON	1"	2.461	1.715	10	50	0.432
SECR125KON	EC125KON	1-1/4"	2.609	2.070	5	25	0.586
SECR150KON	EC150KON	1-1/2"	2.647	2.315	5	25	0.670
SECR200KON	EC200KON	2"	2.705	2.800	2	10	0.840
SECR250KON*	EC250KON	2-1/2"	3.904	3.430	2	2	1.750
SECR300KON*	EC300KON	3"	4.024	4.060	1	1	2.110
SECR350KON*	EC350KON	3-1/2"	4.334	4.580	1	1	2.715
SECR400KON*	EC400KON	4"	4.444	5.080	1	1	3.715
SECR500KON	EC500KON	5"					

**\*\*COMING SOON\*\***

\* Use with Rigid, IMC & EMT

# **NEW RAIN TIGHT UNIVERSAL SUPER FITTING™**

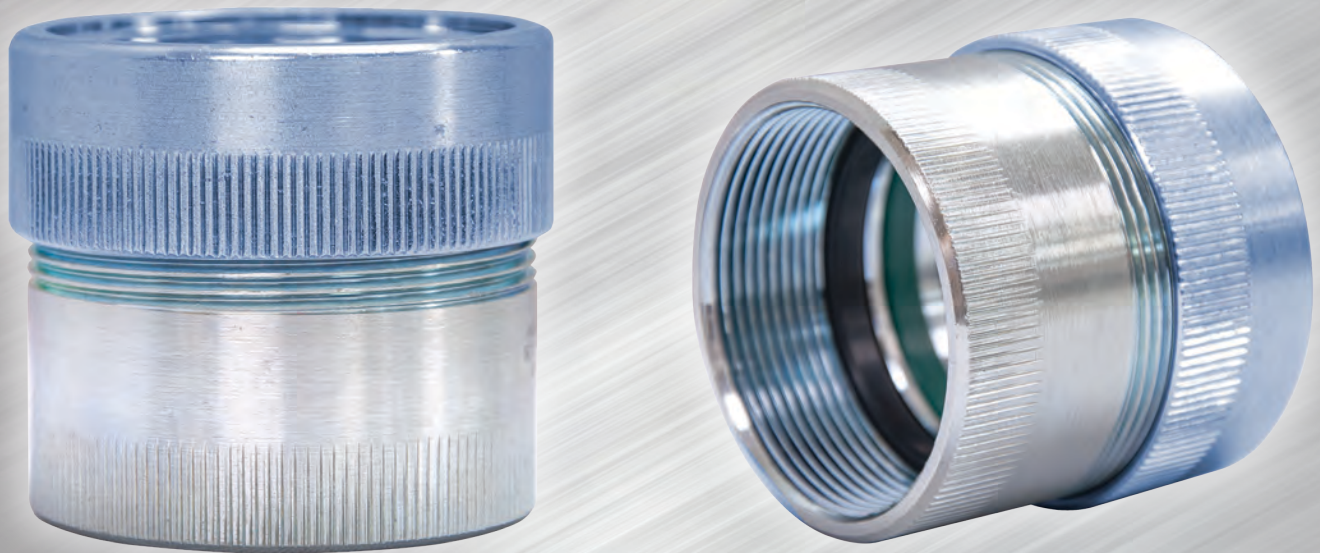
Konkore Fittings™ Universal Super Fitting Family just added RAIN TIGHT 3 Piece Couplings to the line, and they are UL rated for Wet Locations. Three engineered seals provide a barrier of protection to rain and moisture.

It is suitable for outdoor applications and connects threaded pipe to threaded Rigid or IMC pipe, and threaded pipe to unthreaded Rigid, IMC, and 2-½" thru 4" EMT pipe.

It is simple and quick to use. With Konkore's patented design, assembling threaded to threaded pipe just got easier. Just screw the fitting onto the first conduit, insert the second threaded conduit fully, tighten the nut and turn pipe clockwise ¼ to ½ turns to ensure the rubber seal is engaged. It's that easy.

With Konkore's patented design, assembling threaded to unthreaded pipe just got easier. Just screw the fitting onto the first conduit, remove the green ring seal, insert the unthreaded conduit fully and tighten the nut. It's that easy.

Now, the performance of a traditional 3 pc coupling without all the fuss and muss. A fast, RAIN TIGHT reliable connection that saves you time and money.



## **THE WORLD'S FASTEST 3 PIECE COUPLING!**

AVAILABLE IN ½" - 5" SIZES

800.882.5543  
[konkorefittings.com](http://konkorefittings.com)



[atkore]



[AtkoreIntl]



[AtkoreInternational]

**Konkore**<sup>™</sup>  
**FITTINGS**

A PART OF **atkore**<sup>™</sup>  
INTERNATIONAL