

CONDUIT BODIES • COVERS • GASKETS

Aluminum Die Cast Combination LB and C Conduit Bodies for EMT • IMC • Rigid conduit



Applications

To provide access to conductors for pulling, splicing and maintenance

Features

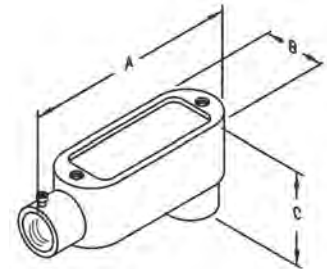
- Tapered threaded hubs - NPT
- Suitable for use in concrete

Standard Materials

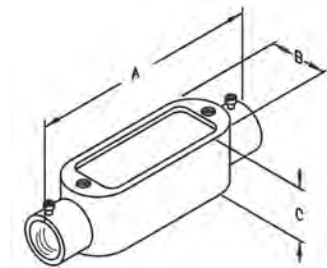
Die cast aluminum
Copper free
Steel screws

Applicable Third Party Standards

- UL Standard: 514A
- Fed. Spec. W-C-586D
- NEMA: FB-1
- UL Listed File # E208392



ACLBKON



ACCKON

CATALOG NUMBER	TRADE SIZE	DIM A	DIM B	DIM C	INNER PACK	MASTER PACK	WEIGHT PER C
Aluminum Die Cast Combination LB Conduit Bodies							
ACLB1KON	1/2"	4.2501.000	1.313	2.188	10	100	24.3
ACLB2KON	3/4"	5.063	1.563	2.438	10	50	37.2
ACLB3KON	1"	5.875	1.750	2.750	5	25	46.3
ACLB4KON	1-1/4"	7.813	2.500	3.438	2	10	97.7
ACLB5KON	1-1/2"	7.813	2.500	3.438	2	10	90.9
ACLB6KON	2"	10.063	3.125	4.313	1	5	221.6
Aluminum Die Cast Combination C Conduit Bodies							
ACC1KON	1/2"	4.688	1.375	1.313	10	100	21.3
ACC2KON	3/4"	5.500	1.563	1.625	10	50	33.1
ACC3KON	1"	6.438	1.750	1.875	5	25	46.3
ACC4KON	1-1/4"	8.313	2.500	2.500	2	10	81.9
ACC5KON	1-1/2"	8.375	2.500	2.500	2	10	85.0
ACC6KON	2"	10.313	3.188	3.375	1	5	187.5

CONDUIT BODIES • COVERS • GASKETS

Aluminum Die Cast Threaded LL and LR Conduit Bodies for Rigid • IMC conduit



Application

To provide access to conductors for pulling, splicing and maintenance

Features

- Tapered threaded hubs - NPT
- Suitable for use in concrete

Standard Materials

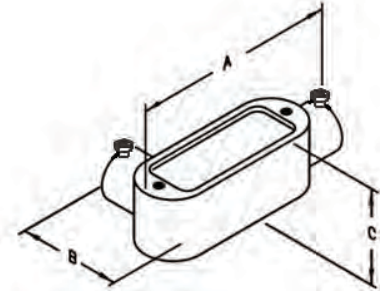
Die cast aluminum
Copper free
Steel screws

Applicable Third Party Standards

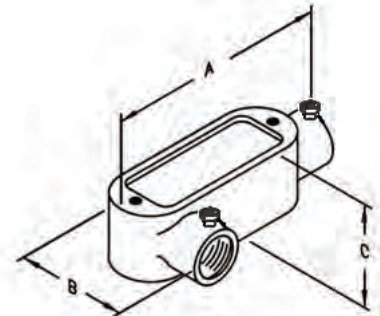
- UL Standard: 514A
- Fed. Spec. W-C-586D
- NEMA: FB-1
- UL Listed File # E208392



ACLLKON



ACLRKON



CATALOG NUMBER	TRADE SIZE	DIM A	DIM B	DIM C	INNER PACK	MASTER PACK	WEIGHT PER C
Aluminum Die Cast Threaded LL Conduit Bodies							
ACLL1KON	1/2"	4.313	2.063	1.375	10	100	24.5
ACLL2KON	3/4"	5.063	2.250	1.625	10	50	36.8
ACLL3KON	1"	5.875	2.625	1.875	5	25	45.2
ACLL4KON	1 1/4"	7.438	3.625	2.500	2	10	97.9
ACLL5KON	1 1/2"	7.813	3.625	2.500	2	10	91.9
ACLL6KON	2"	10.063	4.438	3.375	1	5	245.0

CATALOG NUMBER	TRADE SIZE	DIM A	DIM B	DIM C	INNER PACK	MASTER PACK	WEIGHT PER C
Aluminum Die Cast Threaded LR Conduit Bodies							
ACLR1KON	1/2"	4.313	2.063	1.375	10	100	22.7
ACLR2KON	3/4"	5.063	2.250	1.625	10	50	37.5
ACLR3KON	1"	5.875	2.625	1.875	5	25	48.7
ACLR4KON	1-1/4"	7.813	3.625	2.500	2	10	98.1
ACLR5KON	1-1/2"	7.813	3.625	2.500	2	10	93.9
ACLR6KON	2"	10.063	4.438	3.375	1	5	253.5



CONDUIT BODIES • COVERS • GASKETS

Aluminum Die Cast Combination T Conduit Bodies for EMT • IMC • Rigid conduit

Applications

To provide access to conductors for pulling, splicing and maintenance

Features

- Tapered threaded hubs - NPT
- Suitable for use in concrete

Standard Materials

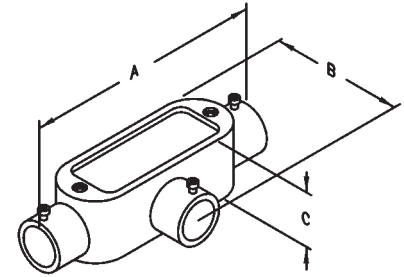
Die cast aluminum
Copper free
Steel screws

Applicable Third Party Standards

- UL Standard: 514A
- Fed. Spec. W-C-586D
- NEMA: FB-1
- UL Listed File # E208392



ACTKON



CATALOG NUMBER	TRADE SIZE	DIM A	DIM B	DIM C	INNER PACK	MASTER PACK	WEIGHT PER C
ACT1KON	1/2"	4.750	2.063	1.375	10	100	23.2
ACT2KON	3/4"	5.563	2.250	1.625	10	50	37.5
ACT3KON	1"	6.438	2.625	1.875	5	25	53.3
ACT4KON	1-1/4"	8.250	3.563	2.500	2	10	99.9
ACT5KON	1-1/2"	8.375	3.563	2.500	2	10	97.6
ACT6KON	2"	10.688	4.375	3.125	1	5	264.5